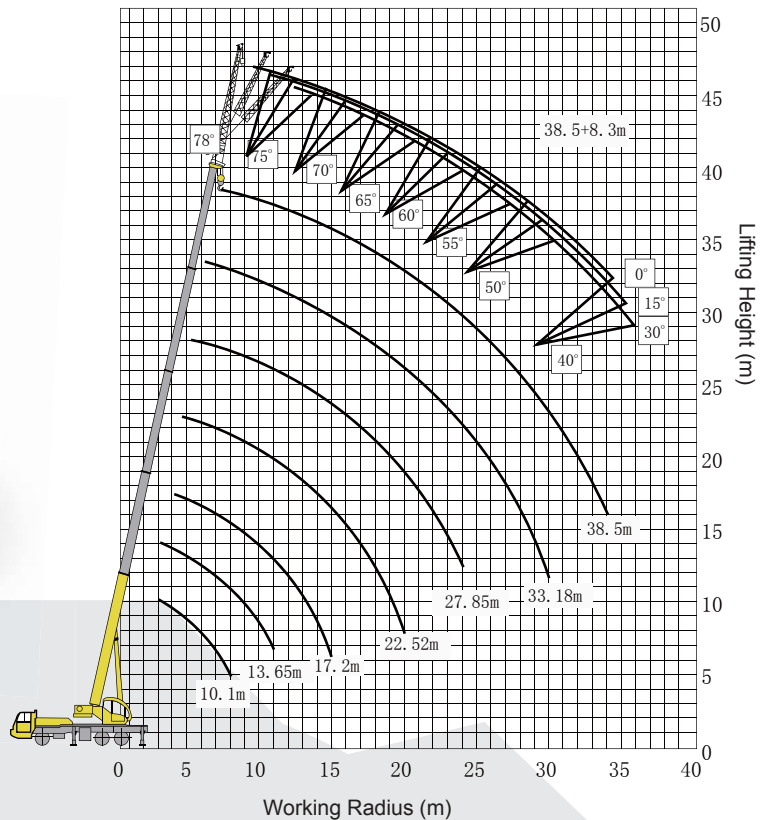




Lifting Height Area



### Engine

Model ----- 6CL280-2  
 Type ----- Direct injection, turbocharged,  
 water cooled  
 Rated power ----- 206KW  
 Rated speed ----- 2200rpm

### Mass Specification

Operating weight ----- 32400Kg  
 Front axle load ----- 7000Kg  
 Rear axle load ----- 25400Kg

### Dimensions

Overall length ----- 12070mm  
 Overall width ----- 2500mm  
 Overall height ----- 3390mm

### Wheel base

Axle1, Axle2 ----- 5025mm  
 Axle2, Axle3 ----- 1350mm

### Lifting Specification

Max. rated lifting capacity ----- 30000Kg  
 Min. rated working radius ----- 3m

Max. load moment  
 Base boom ----- 1025KN·m  
 Fully extended boom ----- 460KN·m  
 Fully extended boom+jib ----- 350KN·m

Outrigger span  
 Longitudinal ----- 5.85m  
 Lateral ----- 6.0m

Lifting height  
 Base boom ----- 10.1m  
 Fully extended boom ----- 38.5m  
 Fully extended boom+jib ----- 46.8m

### Working Speed

Boom raising time ----- 68s  
 Boom full extension time ----- 150/140s  
 Max. slewing speed ----- 2.5rpm

Hoist speed  
 Main winch (full load) ----- ≥75m/min  
 Aux. winch (full load) ----- ≥75m/min

### Traveling Specification

Max. traveling speed ----- 75km/h  
 Min. turning diameter ----- 22m  
 Ground clearance ----- 291mm  
 Approach angle ----- 19°  
 Departure angle ----- 13°  
 Grade ability ----- 30%  
 Fuel consumption ----- 40L/100km

### Rated Lifting Load For Boom

| Working radius(m) | Outrigger fully extend and boom over side or rear<br>Lifting Load (ton) |       |      |       |       |       |      |
|-------------------|---|-------|------|-------|-------|-------|------|
|                   | Boom Length(m)  |       |      |       |       |       |      |
|                   | 10.1  | 13.65 | 17.2 | 22.52 | 27.85 | 33.18 | 38.5 |
| 3                 | 30  | 25    |      |       |       |       |      |
| 3.5               | 28  | 23.5  |      |       |       |       |      |
| 4                 | 25.3  | 21.5  | 18   |       |       |       |      |
| 5                 | 20.5  | 18.5  | 15.8 | 11.4  | 9.5   |       |      |
| 6                 | 16.5  | 16    | 13   | 10.4  | 8.4   | 6.6   |      |
| 7                 | 13.5  | 13    | 11.5 | 9.4   | 7.6   | 6     | 5    |
| 8                 | 10.8  | 10.8  | 10.6 | 8.5   | 7.3   | 5.6   | 4.6  |
| 9                 |   | 8.7   | 8.6  | 7.8   | 6.6   | 5.3   | 4.3  |
| 10                |   | 7.2   | 7.1  | 7.1   | 6.1   | 4.9   | 4    |
| 11                |   | 6     | 5.9  | 6.5   | 5.6   | 4.6   | 3.8  |
| 12                |   |       | 5    | 5.5   | 5.2   | 4.3   | 3.5  |
| 13                |   |       | 4.2  | 4.8   | 4.7   | 4     | 3.37 |
| 14                |   |       | 3.6  | 4.1   | 4.26  | 3.7   | 3.16 |
| 15                |   |       | 3    | 3.6   | 3.9   | 3.4   | 2.96 |
| 16                |   |       |      | 3.1   | 3.5   | 3.1   | 2.85 |
| 18                |   |       |      | 2.4   | 2.7   | 2.72  | 2.55 |
| 20                |   |       |      |       | 2.1   | 2.3   | 2.16 |
| 22                |   |       |      |       | 1.6   | 1.8   | 1.82 |
| 24                |   |       |      |       | 1.2   | 1.5   | 1.45 |
| 26                |   |       |      |       |       | 1.1   | 1.22 |
| 28                |   |       |      |       |       | 0.9   | 1    |
| 30                |   |       |      |       |       | 0.6   | 0.8  |
| 32                |   |       |      |       |       |       | 0.6  |
| Parts of line     | 10  | 10    | 6    | 5     | 4     | 3     | 3    |