



Engine

Model	Cummins B3.3
Type	Direct injection, water cooled
Rated power	60KW
Rated speed	2200rpm

Hydraulic System

Main pump	KAWASAKI
Main valve	KAWASAKI/Parker
Motor	TOSHIBA/Parker
Hydraulic flow rate	170L/min
Hydraulic pressure	30MPa

Operating Scope

Stick length	1780mm
A: Max. cutting height	7250mm
B: Max. dumping height	5350mm
C: Max. digging depth	3930mm
D: Max. reach	6460mm

Main Technical Specification

Operating weight	8200Kg
Standard bucket capacity	0.35m ³
Slewing speed	12rpm
Stick digging force	39.3KN
Bucket digging force	58KN

Travelling System

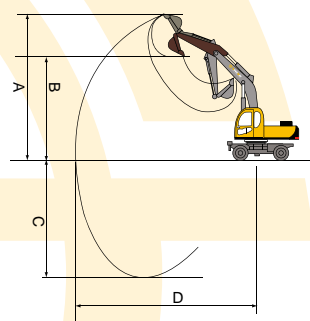
Front and rear axle driving, with wheel hub and front axle steering	
Travelling speed	25km/h
Grade ability	40%

Main Features

Advanced loading sensor system
 Independent hydraulic steering and driving system
 Ergonomically designed cab

Dimensions

Overall length	6250mm
Overall width	2160mm
Overall height of boom	2600mm
Overall height of cab	2750mm
Engine cover height	1976mm
Counterweight clearance	1045mm
Ground clearance	260mm
Upperstructure width	2160mm
Rear-end length/Slewing radius	2850mm
Wheel base	2400mm
Overall width of blade	2120mm
Overall height of blade	450mm
Front overhang	930mm
Overall width with outrigger extended	2850mm
Rear overhang	780mm



Main Applications

Road construction
 City dwellings construction
 Pipe laying
 Road repairing project

Optional

Hydraulic breaker
 Quick hitch