



### Engine

Model	Cummins C8.3(UK)
Type	Direct injection, turbocharged
Rated power	205KW
Rated speed	2200rpm

### Hydraulic System

Main pump	KAWASAKI
Main valve	KAWASAKI/Parker
Motor	TOSHIBA/Parker
Hydraulic flow rate	2x260L/min
Hydraulic pressure	34MPa

### Operating Scope

Stick length	3200mm
A: Max. cutting height	10215mm
B: Max. dumping height	7390mm
C: Max. digging depth	7625mm
D: Max. reach	11000mm

### Main Technical Specification

Operating weight	32700Kg
Standard bucket capacity	1.53m <sup>3</sup>
Slewing speed	11rpm
Stick digging force	109KN
Bucket digging force	175.8KN

### Travelling System

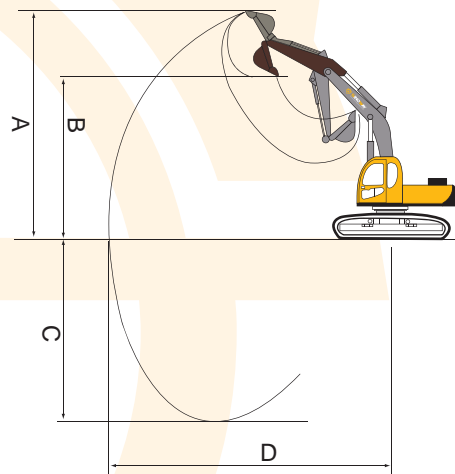
Travelling speed	5.1km/h
Grade ability	65%
Ground pressure	0.069MPa

### Main Features

- Dual hydraulic pump system
- Advanced electrical system
- Special preferential hydraulic system
- Ergonomically designed cab

### Dimensions

Overall length	10610mm
Overall width	3180mm
Overall height of boom	3540mm
Overall height of cab	3010mm
Engine cover height	2650mm
Counterweight clearance	1235mm
Ground clearance	470mm
Upperstructure width	2960mm
Rear-end length/Slewing radius	3215mm
Overall track length	4690mm
Track length on ground	3780mm
Track gauge	2580mm
Track width	600mm
Boom slewing angle(L/R)	0°



### Main Applications

- hydro-electric project
- mining
- road construction
- City dwellings construction
- Pipe laying and road repair projects

### Optional

- Hydraulic breaker
- Quick hitch