



### Engine

Model	Cummins C8.3
Type	Direct injection, turbocharged
Rated power	205KW
Rated speed	2200rpm

### Hydraulic System

Main pump	KAWASAKI
Main valve	KAWASAKI/Parker
Motor	TOSHIBA/Parker
Hydraulic flow rate	2x260L/min
Hydraulic pressure	34MPa

### Operating Scope

Stick length	3200mm
A: Max. cutting height	10125mm
B: Max. dumping height	7310mm
C: Max. digging depth	7535mm
D: Max. reach	10900mm

### Main Technical Specification

Operating weight	28800Kg
Standard bucket capacity	1.23m <sup>3</sup>
Slewing speed	11rpm
Stick digging force	106KN
Bucket digging force	160.8KN

### Travelling System

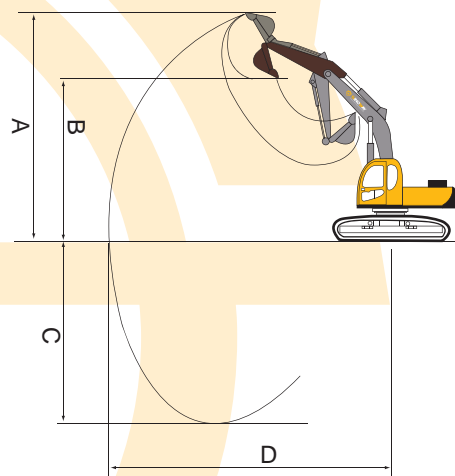
Travelling speed	5.1km/h
Grade ability	65%
Ground pressure	0.06MPa

### Main Features

- Dual hydraulic pump system
- Advanced electrical system
- Special preferential hydraulic system
- Ergonomically designed cab

### Dimensions

Overall length	10610mm
Overall width	3180mm
Overall height of boom	3540mm
Overall height of cab	3010mm
Engine cover height	2650mm
Counterweight clearance	1235mm
Ground clearance	470mm
Upperstructure width	2960mm
Rear-end length/Slewing radius	3215mm
Overall track length	4690mm
Track length on ground	3780mm
Track gauge	2580mm
Track width	600mm
Boom slewing angle(L/R)	0°



### Main Applications

- Hydro-electric project
- Middle-scale mining
- Road construction
- City dwellings construction
- Pipe laying
- Road repairing project

### Optional

- Hydraulic breaker
- Quick hitch